

# Hunter 1x8 HDMI Splitter

**9106-Hunter HTE-108E-1x8**

## User Manual



## Product Introduction

Hunter 1x8 HDMI Splitter is a device that allows you to split one HDMI input into eight HDMI outputs. It supports 3D, Ultra HD 4k2K@60hz with 12-bit YCBCR 4:2:0 color format, HDCP1.4, and 10.2 Gbps bandwidth. 1x8 HDMI Splitter supports PCM 7.1 CH (channel), Dolby True HD, and DTS-HD Master Audio. It also supports EDID (Extended Display Identification Data) which allows the connected devices to communicate their video capabilities to the splitter, ensuring the best possible video quality.

## Features

- Supports EDID control Compliant with HDCP1.4
- Support 3D frame sequential video format up to Ultra HD 4k2K@30hz
- Data transmission speed: 10.2 Gbps
- Supports LPCM 7.1CH, Dolby True HD, and DTS-HD Master Audio
- Support video format up to 4k2k@30Hz with 12bit RGB/YCBCR 4:2:0



## Specifications

• Product Name	Hunter 1x8 HDMI Splitter-9106
• Input Port	1 × HDMI (Female type)
• Output Port	8 × HDMI (Female type)
• Video Resolution	Up to 4KX2K/60HZ and Up to 1080P/60HZ
• Bandwidth Support	Up to 10.2 Gbps
• Power Supply	5V/1A DC (US/EU standards, CE/FCC/UL certified)
• Material	Aluminum
• Operating Temperature	0 °C~40 °C/ 32 °F~104 °F
• Storage Temperature	-20 °C ~ 60 °C/-4 °F ~140 °F
• Relative Humidity	20~90 % RH (non-condensing)
• Power Consumption (Max)	5W
• ESD Protection	Human Body Model: ±8kv(air –gap discharge) ±4kv (contact charge)
• Dimensions	250mmx100mmx20mm

## Operation Controls & Functions



**Front Panel**

**ON/OFF button:**  
When the button is pressed, the device will be turned on/off

**POWER LED:**  
This LED illuminate when the device is connected with power supply

**1~8 LED:**  
This LED illuminate when the OUT1~OUT8 connected to the device



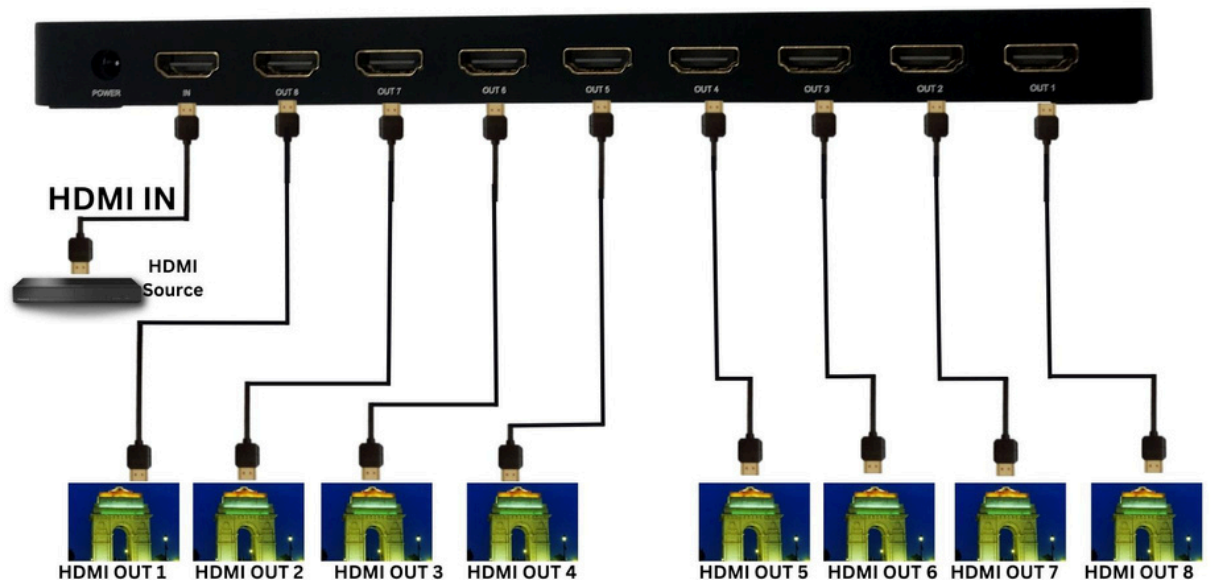
**Rear Panel**

**DC/5V:**  
Plug the 5V DC power supply into the unit and connected the adaptor to an AC outlet.

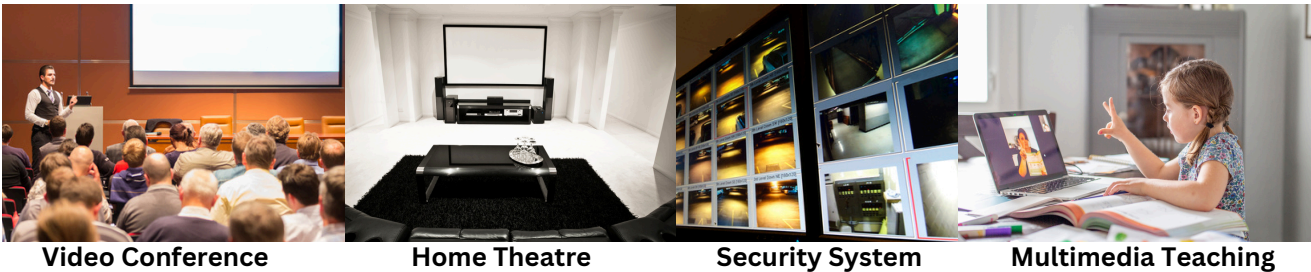
**HDMI IN:**  
Connect the input port to the HDMI output of your source device such as a DVD player or set-top box with an HDMI cable

**HDMI OUT 1~8:**  
Connect HDMI output 1~8 to an HDMI display for simultaneous HDMI distribution

## Connection Diagram



**Resolution**



**WARRANTY : 1 Year**



If your product does not work properly because of a defect in materials or workmanship, our Company (warrantor) will, for the length of the period indicated as 1 Years, which starts with the date of original purchase ("Limited Warranty period"), at its option either (a) repair your product with new or refurbished parts, or (b) replace it with a new or a refurbished product. The decision to repair or replace will be made by the warrantor.

During the "Labor" Limited Warranty period there will be no charge for labor. During the "Parts" warranty period, there will be no charge for parts. You must mail-in your product during the warranty period. This Limited Warranty is extended only to the original purchaser and only covers product purchased as new. A purchase receipt or other proof of original purchase date is required for Limited Warranty service.