

Hunter 4K HDMI over HdBaseT Extender 150 Meters- 9430-HUS-150HdE4K User Manual



Features

- HDCP 2.2 / HDCP 1.4 and DVI 1.0 compliant
- Support 18Gbps video bandwidth
- The maximum extended transmission distance via a single CAT5e/6 cable : 394ft/120m for 4K signal , 492ft/150m for 1080P signal
- Support one HDMI loop output on the transmitter.
- De-embedded audio to analog stereo output on receiver.
- Bi-directional IR,
- RS-232 and
- CEC pass-through
- HDR, HDR10+, Dolby Vision and HLG function supported.
- Support PoE (Power over Ethernet) function.
- Compact design for easy and flexible installation



Specifications



Technical

| | |
|-------------------|--|
| HDCP Compliance | HDCP 2.2 / HDCP 1.4 |
| Video Bandwidth | 18Gbps |
| Video Resolution | 4K3K 50/60Hz 4:4:4, 4K2K 50/60Hz 4:2:2, 4K2K 50/60Hz 4:2:0, 4K2K 30Hz 4:4:4, 1080p,, 1080i, 720p, 720i, 480p, 480i All HDMI 3D TV formats |
| Colour Space | All PC resolutions including 1920x1200 |
| Colour Depth | RGB/ YCbCr 4:4:4, YCbCr 4;2;2, YCbCr 4:2:0 8/10/12-bit (1080P60Hz, 4K30Hz, 4K60Hz, YCbCr 4:2:2/4:2:0) 8-bit (4k60Hz 4;4;4) |
| HDMI Audio Format | LPCM 2.0/2.1/5.1,6.1,7.1, Dolby Digital, Dolby TrueHD, Dolby Digital Plus(DD+), DTS-ES, DTS HD Master, DTS HD-HRA, DTS-X |
| L/R Audio Formats | PCM 2.0 |
| ESD Protection | Human body model-±8kV (Air-gap discharge) & ±4kV (Contact discharge) |

Connection

| | |
|-------------|--|
| Transmitter | Inputs : 1x HDMI Type A(19-pin female) Outputs : 1x HDMI Type A (19-pin female) 1x HDBT OUT (RJ45, 8-pin female) Control : 1x IR IN (3.5mm Stereo Mini-jack) 1x IR OUT (3.5mm Stereo Mini-jack) 1x RS232 (Phoenix jack) 1x SERVICE (Mini-USB, Update port) |
| Receiver | Inputs : 1x HDBT IN (RJ45 8-pin female) Outputs : 1x HDMI Type A (19-pin female) 1x AUDIO OUT (3.5mm Stereo Mini-jack) Control : 1x IR IN (3.5mm Stereo Mini-jack) 1x IR OUT (3.5mm Stereo Mini-jack) 1x RS232 (Phoenix jack) 1x SERVICE (Mini-USB, Update port) |

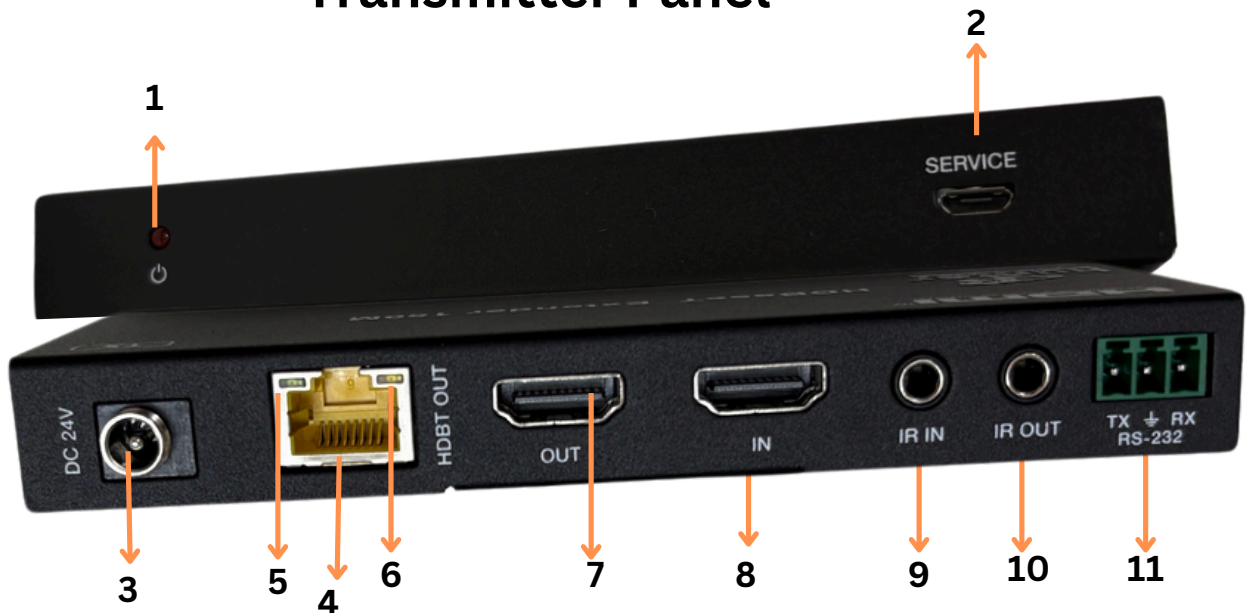
Mechanical

| | |
|-----------------------|---|
| Housing | Metal |
| Colour | Black |
| Dimensions | Transmitter / Receiver 140mm (W) x 65mm (D) x 18mm (H) |
| Weight | TX 160g, RX 155g |
| Power Supply | Input : AC 100 -240V 50/60 Hz Output : DC 24V/1A (locking connector) |
| Power Consumption | 9.36 W |
| Operating Temperature | 32 - 104°F / 0 - 40°C |
| Storage Temperature | -4 -140°F / -20 - 60°C |
| Relative Humidity | 20 - 90% RH (no condensation) |

Resolution/ Distance

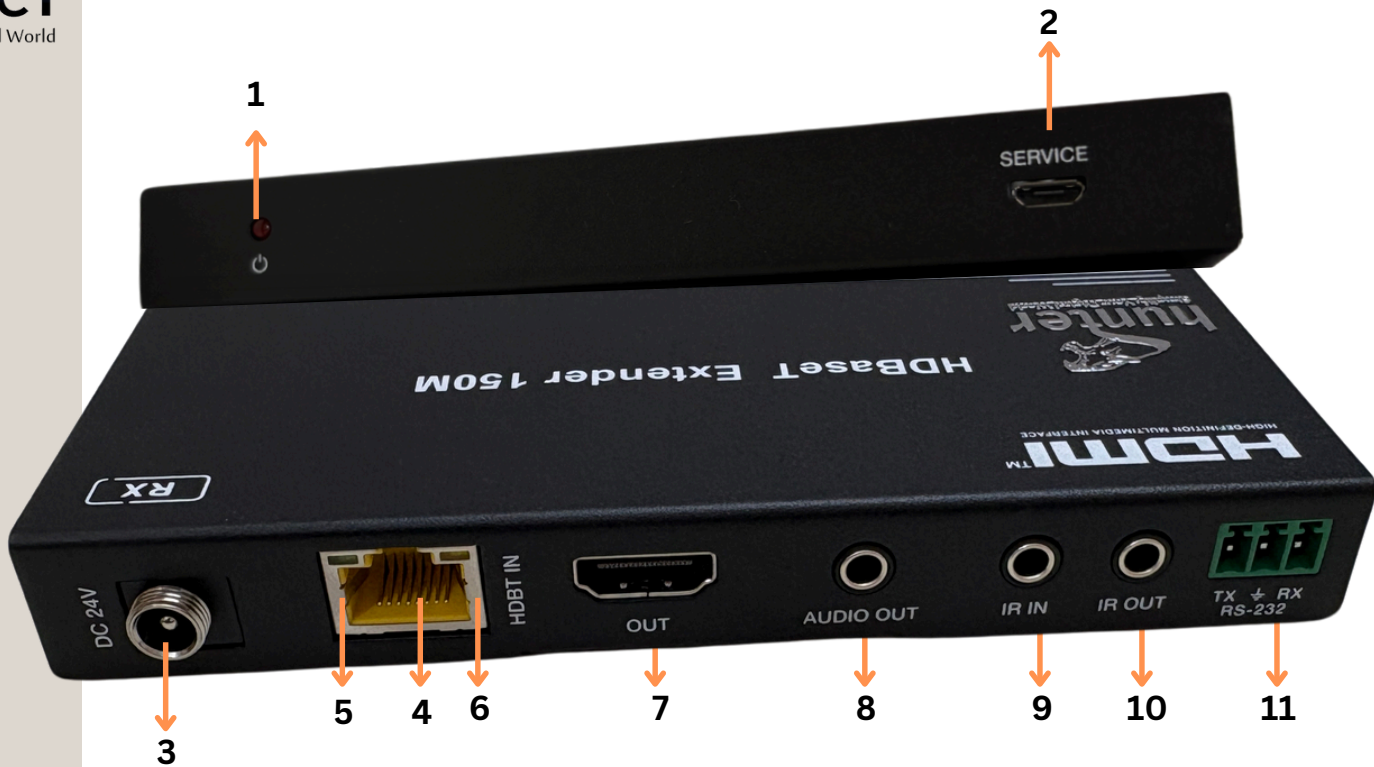
| | |
|-----------------------------|---|
| 4K2K | 394ft / 120M |
| 1080P | 492ft / 150M |
| Resolution/ Cable Length | 4K60- Feet / Meters , 4K30- Feet / Meters , 1080P60- Feet / Meters |
| HDMI IN / OUT | 16ft / 5M , 32ft 10M , 50ft/ 15M |

Transmitter Panel



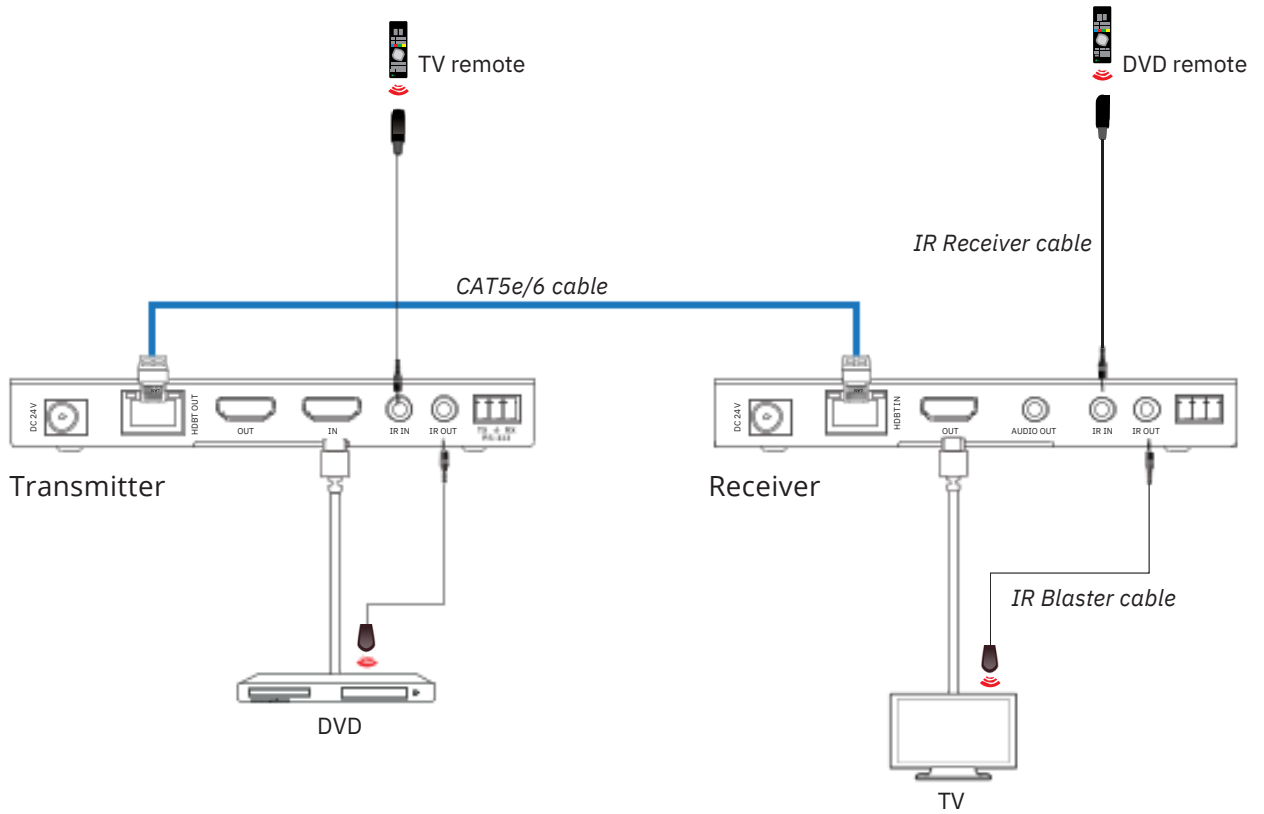
- 1 - Power LED : Red LED indicates that the transmitter is powered on
- 2- Service Port : Firmware update port
- 3 - DC 24V
- 4 - HDBT OUT : RJ45 connecting the HDBT IN port of receiver with a CAT 5e/6 cable
- 5 - Connection Signal Indicator Lamp : illuminating - Transmitter & Receiver are in good connection status
Flashing - Transmitter & receiver are in poor connection
Dark - Transmitter & Receiver are not connected
- 6 - Data signal Indicator Lamp :
Illuminating - HDMI signal with HDCP
Flashing - HDMI signal without HDCP
Dark - No HDMI signal
- 7 - HDMI OUT : HDMI loop output for display
- 8 - HDMI IN : HDMI source input
- 9 - IR IN : IR input port for receiving the signal of IR remote
- 10 - IR OUT : IR output for control device. This IR output signal is from the IR IN port of receiver
- 11 - RS232 : 3-pin Phoenix connector for RS232 command transmission. The RS232 command will pass-through from transmitter to receiver or from receiver to transmitter

Receiver Panel

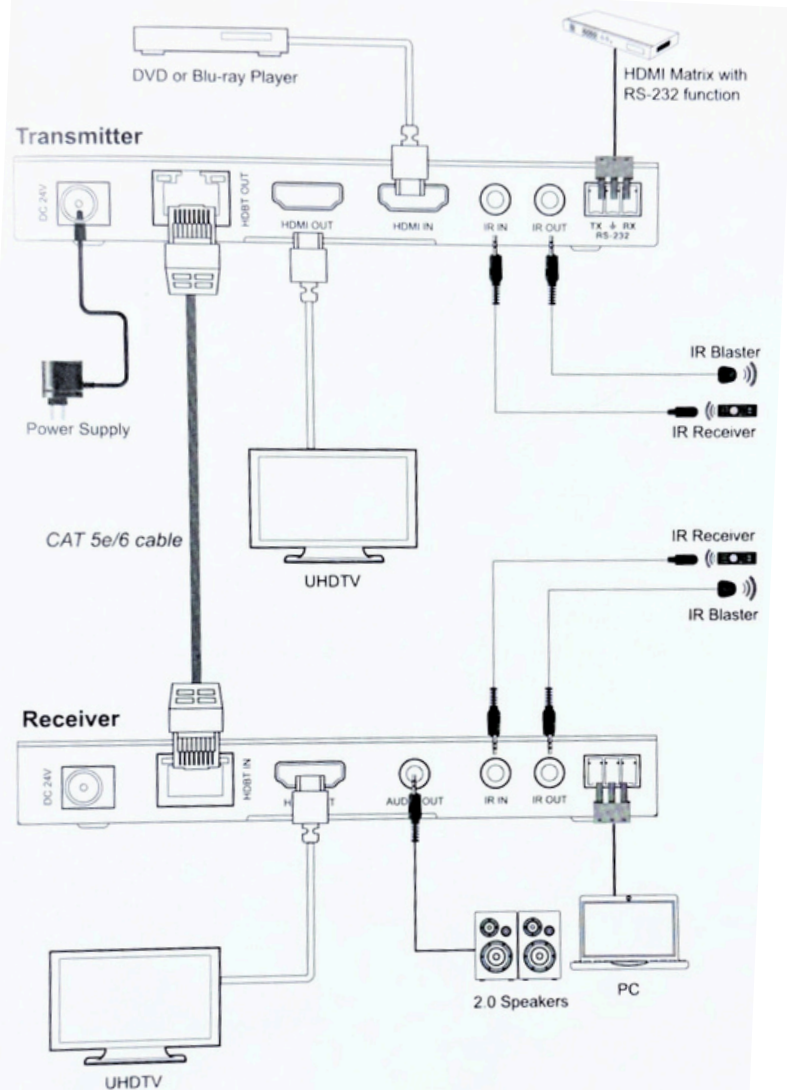


- 1 - Power LED : Red LED indicates that the transmitter is powered on
- 2- Service Port : Firmware update port
- 3 - DC 24V
- 4 - HDBT IN : RJ45 connecting the HDBT OUT port of transmitter with a CAT 5e/6 cable
- 5 - Connection Signal Indicator Lamp : illuminating - Transmitter & Receiver are in good connection status
Flashing - Transmitter & receiver are in poor connection
Dark - Transmitter & Receiver are not connected
- 6 - Data signal Indicator Lamp :
Illuminating - HDMI signal with HDCP
Flashing - HDMI signal without HDCP
Dark - No HDMI signal
- 7 - HDMI OUT : HDMI loop output for display
- 8 - AUDIO OUT : 3.5mm stereo connector for analog audio output
- 9 - IR IN : IR input port for receiving the signal of IR remote
- 10 - IR OUT : IR output for control device. This IR output signal is from the IR IN port of receiver
- 11 - RS232 : 3-pin Phoenix connector for RS232 command transmission. The RS232 command will pass-through from transmitter to receiver or from receiver to transmitter

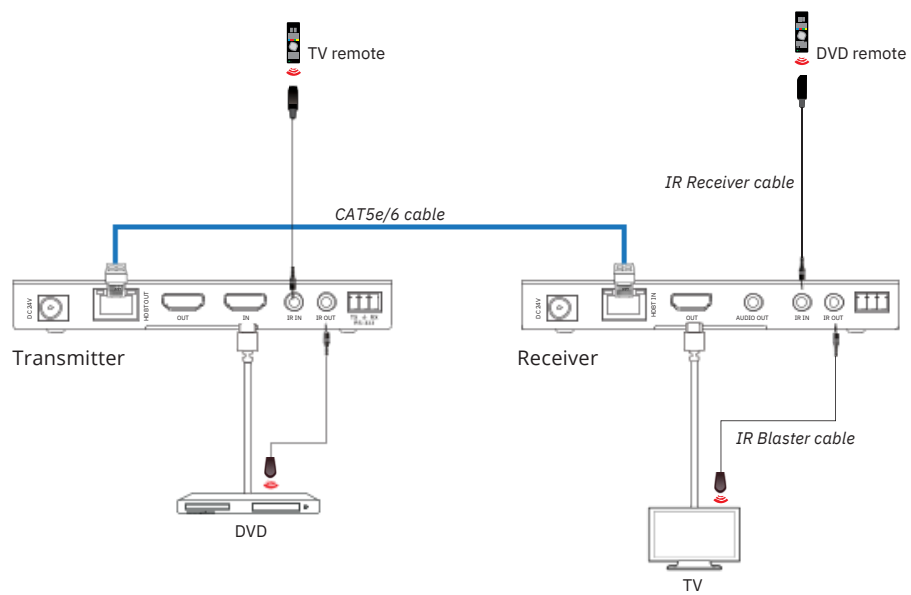
The following is IR system diagram about IR cable use method.



Connection Diagram



The following is IR system diagram about IR cable use method.





TX



IR Receiver

IR Blaster



RX

WARRANTY : 1 Year



If your product does not work properly because of a defect in materials or workmanship, our Company (warrantor) will, for the length of the period indicated as 1 Years, which starts with the date of original purchase ("Limited Warranty period"), at its option either (a) repair your product with new or refurbished parts, or (b) replace it with a new or a refurbished product. The decision to repair or replace will be made by the warrantor.

During the "Labor" Limited Warranty period there will be no charge for labor. During the "Parts" warranty period, there will be no charge for parts. You must mail-in your product during the warranty period. This Limited Warranty is extended only to the original purchaser and only covers product purchased as new. A purchase receipt or other proof of original purchase date is required for Limited Warranty service.