



## Operating Instruction

### Opening the screen

Press the Down button of the switch box, screen will go down and stop automatically

### Retracting the screen

Press the Up button of the switch box, screen will go up and stop automatically

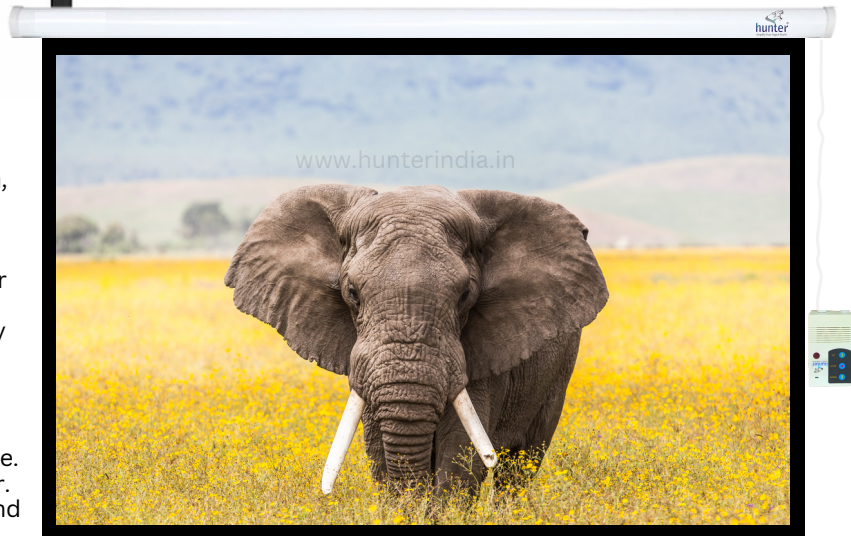
### Stopping the screen

Press the Stop button of the switch box, screen will stop at any point.

## Attention



- Don't Roll the screen up and down more than 3 times consecutively.
- Do Not roll it for more than 4 minutes in a single operation, otherwise the motor will go in safe mode and will stop working.
- In such scenario let the motor cool down which typically takes 3-60 mins at room temperature., pls use screen after the temperature of motor become normal.
- The screen is factory adjusted for default, do not adjust by yourself until completely necessary.
- Clean the screen surface only by a clean damp cloth
- Do Not touch the screen surface by hands.
- Do Not write or draw on the screen surface.
- Do Not use nail or sharp things to sweep the screen surface.
- If you encounter any anomaly, stop usage & turn off power.
- Install the screen in a dry place, avoid high temperature and keep some distance with corrosive things at all times.
- Do Not tamper with remote or the screen, Log the call on our website <https://hunterindia.in>

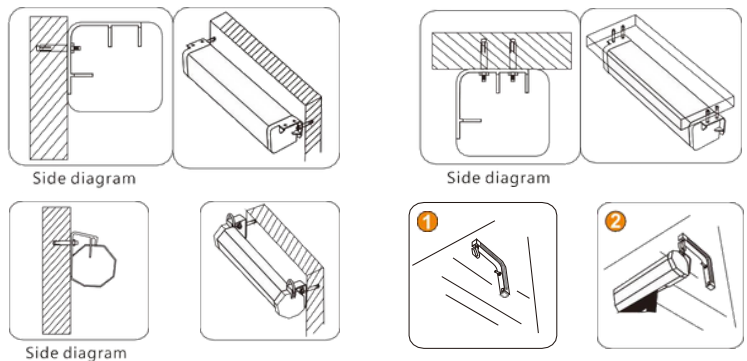


## Installation Method

Fix the expansion bolt/Anchor Bolt into the wall/Ceiling, Install screen (bracket side) in the expansion bolt, then fix the screw/nut.

### Wall Mount

### Ceiling Mount

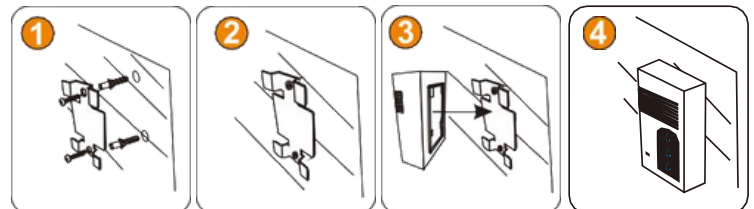


## List of Parts

Sender x1 	Battery x1 	Receiver Hanger x1 
Receiver x1 	Screw x2 	Anchor Bolt x2 

## Receiver Installation

After installing the screen, fix the receiver in place as per the drawing below



When installing the screws, ensure the walls have enough tolerance to avoid getting the screen loose