

Hunter video Wall Controller 2 x 2 4K

User Manual

**9173-HUS-VW2x2- Hunter video Wall
Controller 2 x 2, 4K**

www.hunterindia.in



Product Introduction

Hunter 4K 2x2 video wall controller, support 1-way HDMI or DVI & 4 HDMI output, the main function is to divide a complete HDMI, DVI HD image signal into 4 blocks & assign to 4 display unit (such as Rear projection unit, LCD TV, etc) complete with 4 HDMI high-definition video display units to form a large dynamic image screen



Specifications

- Support 1 DVI or HDMI input
- Support 4 HDMI outputs, 3.5 mm audio output
- Input resolution include 1920x1080P 25/30/50/60HZ, 3840x2160P 24/30 HZ, Output resolution include 1920x1080P 60HZ
- Input format: RGB/YUV 24bit, Output format: RGB444 24bit
- Support RS232 control
- DC 12V/2A power adapter



Multiple Splicing Modes



1x1



1x2



1x3



1x4



2x2



2x1

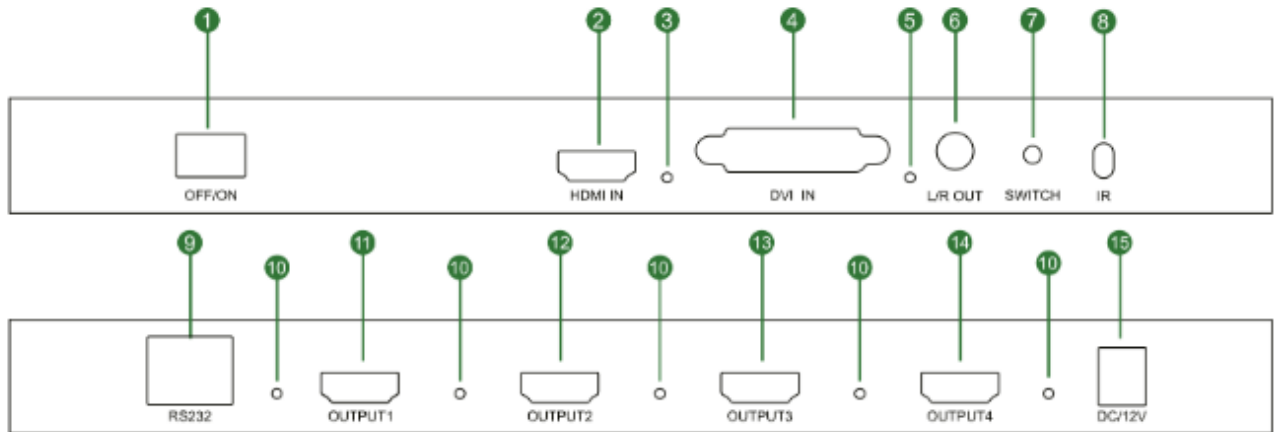


3x1



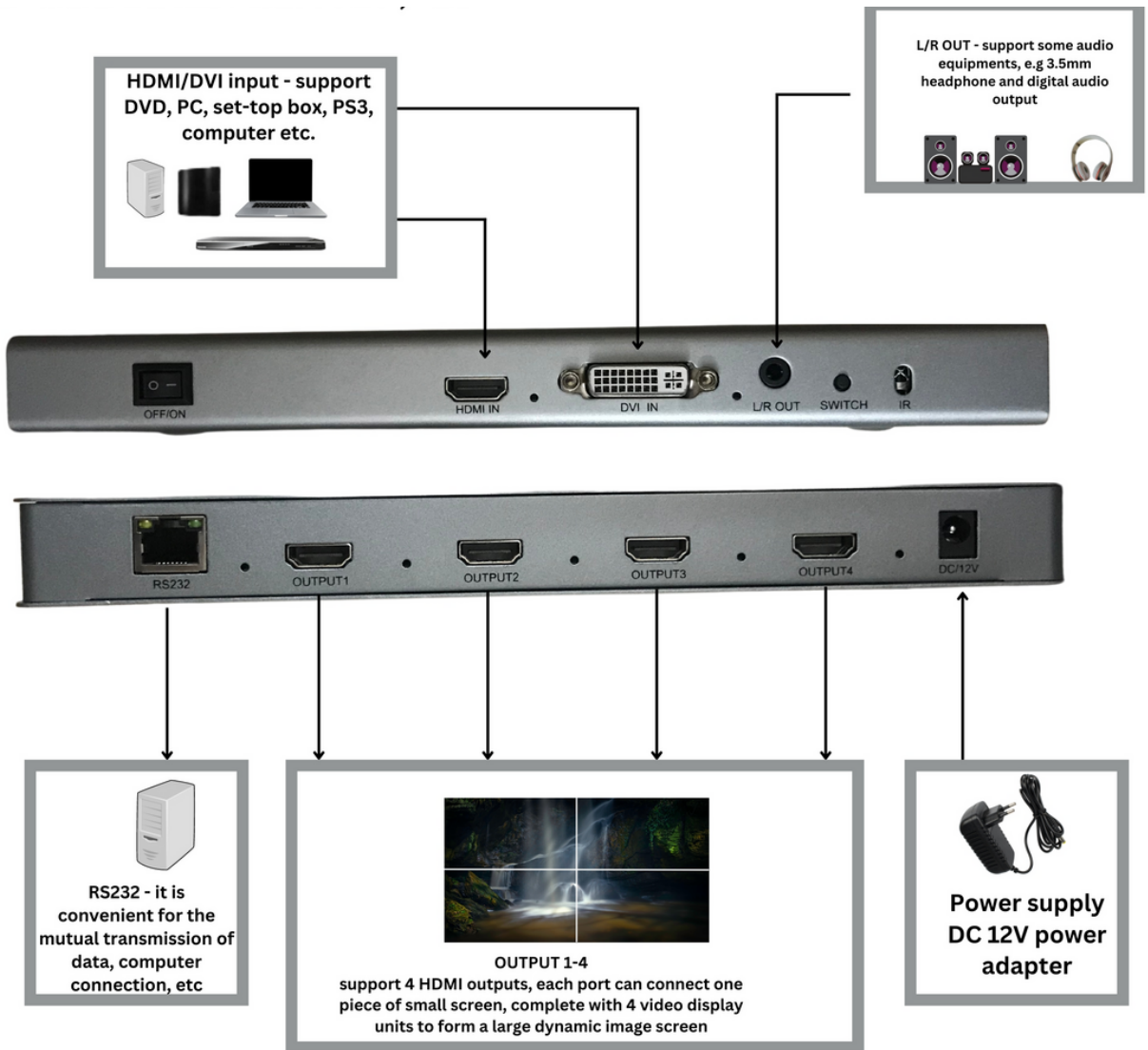
4x1

Product Interface Pictures

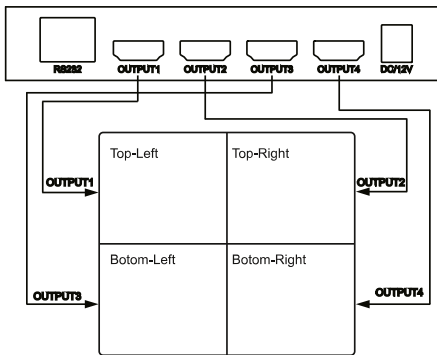


- | | |
|-----------------|-----------------------|
| 1. Off/On | Off/On |
| 2. HDMI IN | HDMI input |
| 3. HDMI input | Signal indicator |
| 4. DVI IN | DVI Input |
| 5. DVI Input | Signal Indicator |
| 6. L/R Out | 3.5mm Stereo Output |
| 7. Switch | Switch |
| 8. IR | Infrared Receiver |
| 9. RS232 | RS232 Port |
| 10. HDMI Output | Signal Indicator |
| 11. Output 1-4 | Output 1-4 Port |
| 12. DC/12V | DC12V Power Interface |

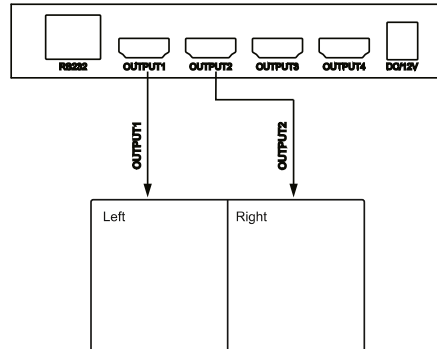
Connection Diagram



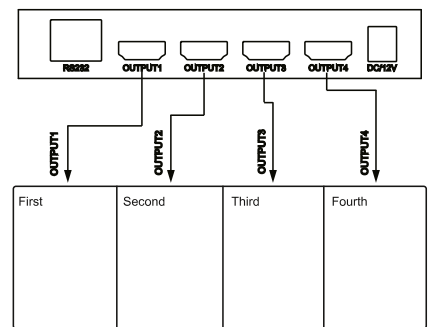
www.hunterindia.in



Top-Left---OUTPUT1; Top-Right---OUTPUT2
 Botom-Left---OUTPUT3; Botom-Right---OUTPUT4



Left---OUTPUT1/OUTPUT3
 Right---OUTPUT2/OUTPUT4



First---OUTPUT1; Second---OUTPUT2
 Third---OUTPUT3; Fourth---OUTPUT4

The Instruction Of Remote Control Button



: Input switching selection

: Output 180° Flip

: Contrast adjustment

:

: Green adjustment

: Brightness adjustment

: Blue adjustment

: Red adjustment

: Mode selection

www.hunterindia.in

Package Content

Hunter 4K 2x2 Video Wall Controller

Power Adapter

Remote Control

